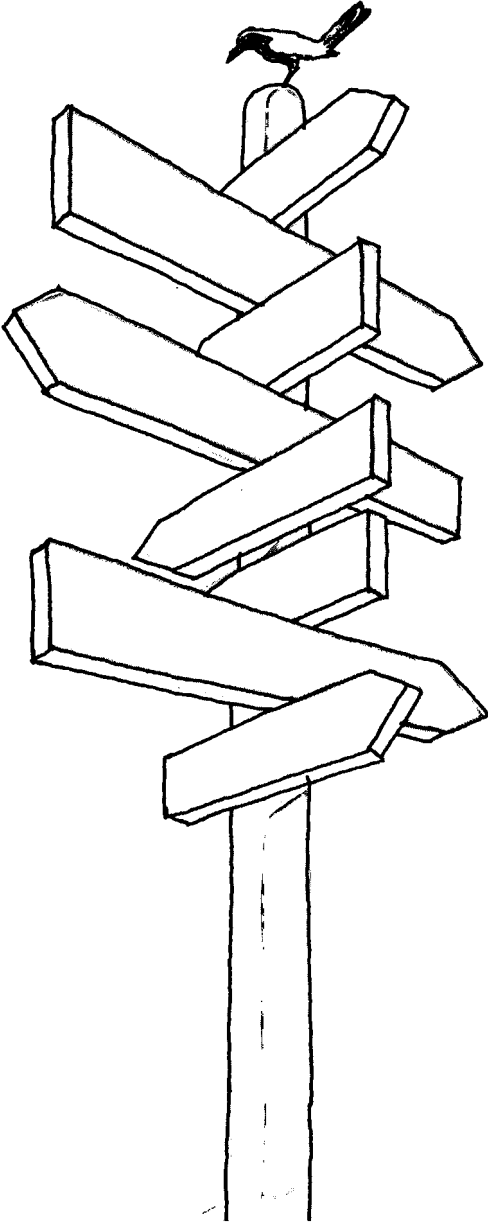


August 1979

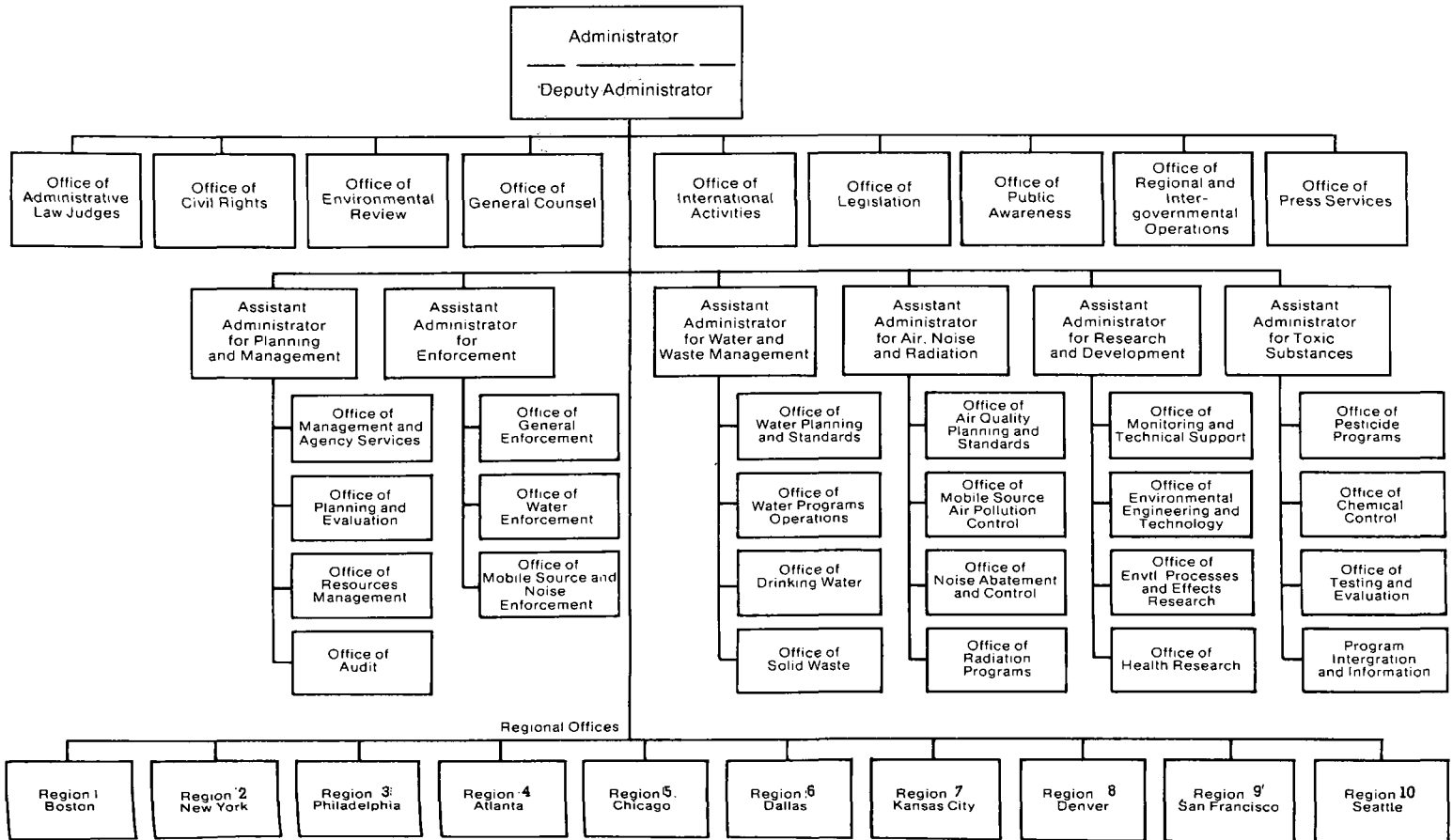
OPA 60/8



Finding Your Way Through EPA



United States Environmental Protection Agency



TD171 i
 454
 1979

Subject Index

Administrator	2	Grants Administration	10
Air, Energy	17	Grants, Legal Aspects	6
Air, Land Use	14	Hazardous Materials—Water Programs	12
Air, Pollution Technical Information Center (APTIC)	14	Hazardous Waste Disposal	14
Air Programs	14	Hazardous Waste Management	14
Air Quality Data Analysis	15	Hearings, Enforcement	11
Air Quality Monitoring	15	Health Effects, Research	18
Air Quality Standards	15	Industrial Discharges, Abatement and Control ..	12
Appointments, Administrator's	2	Industrial Discharges, Wastewater	12
Appointments, Deputy Administrator's	3	Industry Affairs	1
Audit (Personnel)	9	Information Center, Public	back cover
Automobile—see Motor Vehicle		Information, Research Programs	16
Budget Operations	10	International Activities	5
Citizen Information	back cover	International Ocean Affairs	5
Civil Rights	4	International Technology	5
Community Development	6	International Visitor and Information Exchange ..	5
Congressional Affairs	4	Land Use, Air	14
Congressional Record (Digests)	4	Land Use, Radiation	15
Congressional Reports	4	Legal Support, Enforcement	11
Consumer Complaints	back cover	Legal Support, Grants	6
Contract Management	11	Legislation	4
Correspondence, Congressional	4	Legislation, Policies and Programs	4
Correspondence, Executive Communications ..	3	Library, EPA Headquarters	26
Data Analysis, Air Quality	15	Libraries, Regions	23
Deputy Administrator	2	Local Government	3
Disposal, Solid Waste	13	Mailing List, General	inside back cover
DOCUMERICA	7	Mailing Lists, Technical	inside back cover
Drinking Water Quality	12	Management, Services	10
Economic Analysis	10	Mobile Source Air Pollution Control	15
Effluent Guidelines	12	Mobile Source Enforcement	12
Emission Control Technology	15	Monitoring, Air Quality	15
Emission Standards	15	Monitoring, Water Quality	12
Energy	17	Motion Pictures, Public Awareness	7
Enforcement	11	Motor Vehicles, Certification	15
Enforcement, Air	11	Motor Vehicles, Emission Standards	15
Enforcement Hearings	11	Motor Vehicles, Import Regulations	15
Enforcement, Mobile Sources	12	Municipal Construction	13
Enforcement, Noise	12	Municipal Solid Waste Disposal	14
Enforcement, Pesticides	12	Municipal Wastewater Systems	13
Enforcement, Solid Waste	11	Noise, Enforcement	12
Enforcement, Stationary Sources	11	Noise Programs	16
Enforcement, Toxics	12	Non-Point Source Control, Water Quality	12
Enforcement, Water	11	Ocean Affairs, International	5
Environmental Engineering	17	Oil and Special Materials Control	13
Environmental Impact Statements	5	Oil Spills	13
Environmental Review	5	Permit Programs	11
Environmental Sciences	16	Personnel Management	10
Equal Opportunity	4	Pesticides, Hazard Evaluation	22
Eutrophication	13	Pesticides, Enforcement	12
Federal Activities—See Environmental Review		Pesticides Programs	22
Federal Digest	4	Pesticide Registration	22
Films, Public Awareness	7	Photographs Distribution	7
Financial Management	10	Planning and Management	9
Freedom of Information Center	3	Policy Planning	10
General Counsel	6	President's Youth Awards Program	7
		Press Services	8

Press Release, copies.....	8	Standards and Regulations Evaluation.....	10
Procurement, Legal Support.....	6	State Implementation Plans, Air.....	14
Public Awareness.....	6	State Programs, Water.....	13
Public Information Center.....	back cover	State Programs, Drinking Water.....	13
Public Information Reference Unit.....	back cover	Stationary Source Enforcement.....	11
Public Participation.....	26	Technical Information, Air (APTIC).....	14
Publications, General.....	26	Technical Information, Solid Waste (SWIRS).....	14
Publications, Technical.....	inside back cover	Technology Transfer.....	17
Radiation Criteria.....	15	Television Public Service Announcements.....	7
Radiation Standards.....	15	Testimony, Congressional (copies).....	4
Radiation Programs.....	15	Title VI, Civil Rights.....	4
Radiation Technology Assessment.....	15	Toxic Substances.....	21
Radio Public Service Announcements.....	7	Training & Workforce Development.....	17
Regional Liaison.....	3	Transportation Planning, Air.....	14
Regional Offices, EPA (listing).....	23	United Nations Activities.....	5
Registration, Pesticides Programs.....	22	Visitors Center.....	7
Research and Development.....	16	Visitors, International Exchange.....	5
Research and Development Labs.....	19	Wastes, Hazardous, Disposal.....	14
Research Information.....	16	Water and Waste Management.....	12
Resource Recovery.....	14	Water Planning.....	12
Science Advisory Board.....	2	Water, Drinking Quality.....	12
Security and Inspection.....	11	Water, Enforcement Activities.....	11
Solid Waste, Enforcement.....	11	Water, Industrial Wastes.....	12
Solid Waste Information Retrieval System (SWIRS).....	14	Water Management Planning.....	12
Solid Waste Management, Legal Support.....	6	Water Programs.....	12
Solid Waste Management Programs.....	13	Water Quality, Enforcement Investigations.....	11
Solid Waste, Technical Information.....	14	Water Quality, Legal Support.....	11
Speakers Bureau, Scheduling.....	8	Water Quality, Standards, States.....	13
Standards, Air Quality.....	15	Water, State Programs.....	13
Standards, Auto Emissions.....	15	Water, Technical Standards.....	12
		Women's Programs.....	4

Building Identification Codes

The Headquarters offices of the U.S. Environmental Protection Agency are located in the Waterside Mall, but there are EPA personnel at various other locations in the Washington, D.C. metropolitan area. These locations and their building identification codes are listed below. To further assist you in locating EPA staff, room numbers also appear next to the building codes found throughout this directory.

Waterside Mall 401 M Street SW Washington DC	WSM	Marfair Building 499 South Capitol Street SW Washington DC	Marfair
Waterside Mall West Tower Waterside Mall East Tower	WSMW WSME	Crystal Mall Building #2 1921 Jefferson Davis Hwy. Arlington VA	CM-2

All mail should be addressed to:

U.S. Environmental Protection Agency
Washington DC 20460

EPA is charged by Congress to protect the Nation's land, air and water systems. Under a mandate of national environmental laws focused on air and water quality, solid waste management and the control of toxic substances, pesticides, noise and radiation, the Agency strives to formulate and implement actions which lead to a compatible balance between human activities and the ability of natural systems to support and nurture life.

This directory is designed to help people find the names, addresses, and telephone numbers of the particular offices and individuals in the U.S. Environmental Protection Agency that can best answer their questions. Included are a subject index, an organizational chart of the Agency, a map of EPA's ten regional offices, and brief descriptions of EPA's major programs.

To find employees who are not listed in the directory, please call the EPA Locator on 755-2673. All telephone numbers that appear in this booklet are in Washington, D.C., area code (202), unless otherwise indicated.

Single copies of this booklet are available from the EPA Printing Management Office (PM-215), Washington D.C. 20460.

Office of The Administrator

Responsible for the administration and direction of all programs and activities of the Agency.

Administrator	Douglas M. Costle	WSMW Rm. 1200	755-2700
Deputy Administrator	Barbara Blum	WSMW Rm. 1216	755-2711
Administrator's Staff	Hilary K. Shostal <i>Confidential Assistant</i>	WSMW Rm. 1200	755-2700
	Charles R. "Jack" Ford <i>Executive Assistant</i>	WSMW Rm. 1200	755-2705
	Marylouise M. Uhlig <i>Executive Officer</i>	WSMW Rm. 1127	755-0377
	Ronald L. McCallum <i>Judicial Officer</i>	WSMW Rm. 1133	755-2735
	Dr. Richard Dowd <i>Scientific Policy Advisor/Director, Science Advisory Board</i>	WSMW Rm. 1129	755-0263
	Barbara Bankoff <i>Special Assistant</i>	WSMW Rm. 1211	755-0423
	Nathan Chandler <i>Special Assistant</i>	WSMW Rm. 1222	755-0418
	Dr. Edwin H. "Toby" Clark IRLG	WSMW Rm. 1208	755-0453
	Kerrigan "Kerry" Clough <i>Special Assistant (Travel)</i>	WSMW Rm. 1214	755-0436
	Mary Ann Massey <i>Special Assistant</i>	WSMW Rm. 1210	755-0416
	Richard Anthony <i>Speeches</i>	WSMW Rm. 1207	755-0409

	Warren "Ted" Greenleaf <i>Speeches</i>	WSMW Rm. 3706	755-5680
Deputy Administrator's Staff	Thelma Beverly <i>Confidential Assistant</i>	WSMW Rm. 1216	755-2711
	Donald B. Mausshardt <i>Executive Assistant</i>	WSMW Rm. 1218	755-2715
	David R. Andrews <i>Legal Counsel and Special Projects</i>	WSMW Rm. 1224	755-0410
	Gary R. Packingham <i>Special Assistant</i>	WSMW Rm. 1221	755-0413
	Elizabeth "Beth" Sullivan <i>Special Assistant</i>	WSMW Rm. 1223	755-0400
	Trudy Bryan <i>Speeches</i>	WSMW Rm. 1224	755-0413
Office of EPA Land Use Coordination	John R. Gustafson <i>Director</i>	WSMW Rm. 1212	755-0442
Public Participation	Sharon F. Francis	WSMW Rm. 1225	755-0425
Executive Communications	Vacant	WSMW Rm. 1132	755-0500
Freedom of Information	Jeralene "Jerri" Green	WSMW Rm. 1132	755-2764

Office of Regional and Intergovernmental Operations

Liaison between the Agency and regional, State, and local officials.

Director	K. Kirke Harper <i>Acting Director</i>	WSMW Rm. 1137	755-0444
	Vacant <i>Deputy Director</i>	WSMW Rm. 1137	755-0444

Office of Legislation

Liaison with Congress, drafting of legislation, committee testimony.

Director	Charles Warren	WSMW Rm. 835	755-2930
	Susanne Wellford <i>Deputy Director</i>	WSMW Rm. 835	755-2930
Congressional Affairs Division	Larry Snowwhite <i>Assistant Director</i>	WSMW Rm. 833	755-2637
Legislative Division	Steadman Overman <i>Assistant Director</i>	WSMW Rm. 839	755-0565
Congressional Correspondence	Virginia Williams	WSMW Rm. 835	755-0594

Office of Administrative Law Judges

Conducts formal hearings and issues initial decisions.

Chief Administrative Law Judge	Herbert L. Perlman	WSMW Rm. 3706	755-5509
	Sonia G. Anderson <i>Hearing Clerk</i>	WSM Rm. 3708	755-5476

Office of Civil Rights

Oversees matters of civil rights and equal employment opportunity both within the Agency and by grantees and contractors.

Director	Doris Thompson	WSMW Rm. 207	755-0555
Federal Women's Program	Mae Walterhouse <i>Manager</i>	WSMW Rm. 208	755-0520
Affirmative Action/ Evaluation Staff	Gilbert Florence	WSMW Rm. 221	755-8245
Hispanic Employment Program	Lupe Saldana <i>Coordinator</i>	WSMW Rm. 209	755-0515
External Compliance Programs Division	Edgar Jenkins <i>Director</i>	WSMW Rm. 211	755-0540

Discrimination Complaints Division	Jean Lightfoot <i>Director</i>	WSMW Rm. 216	755-0530
---------------------------------------	-----------------------------------	--------------	----------

Office of International Activities

Directs EPA's cooperative programs and information exchange with other nations.

Associate Administrator	Alice Brandeis Popkin	WSMW Rm. 809B	755-2780
	Lewis Hughes <i>Deputy Associate Administrator</i>	WSMW Rm. 807A	755-2780
	Lindwood Starbird U.S. Executive Secretary for US- USSR Environmental Agreement	WSMW Rm. 819B	755-2933
	Gary Chafin <i>US CCMS Coordinator</i>	WSMW Rm. 819C	755-2933
Bilateral Division	Don Oakley <i>Director</i>	WSMW Rm. 811D	755-0523
International Organizations and Western Hemisphere Division	Jack Thompson <i>Director</i>	WSMW Rm. 813A	755-0430
Oceans and Regulatory Division	Joyce Wood <i>Director</i>	WSMW Rm. 815A	755-0533

Office of Environmental Review

Oversees review of environmental impact statements, preparation of EPA impact statements, and environmental problems of Federal and Federally supported activities.

Director	William N. Hedeman, Jr.	WSM Rm. 2119	755-0777
Policy and Procedures Staff	Peter L. Cook <i>Assistant Director</i>	WSM Rm. 2119	755-0790
Resource Development Staff	William D. Dickerson <i>Assistant Director</i>	WSM Rm. 2119	755-0770

Community Development
Liaison Staff

Joseph M. McCabe
Assistant Director

WSM Rm. 2119

755-0780

Office of General Counsel

Principal legal advisor to the Administrator and chief law office of the Agency.

General Counsel

Joan Z. Bernstein

WSMW Rm. 1037D

755-2511

David O. Bickart
*Deputy General
Counsel*

WSMW Rm. 1035C

426-0508

William F. Pedersen
*Deputy General
Counsel/Regulatory
Reform*

WSMW Rm. 1037

426-0508

Water and Solid
Waste Division

James A. Rogers
*Associate General
Counsel*

WSMW Rm. 511

755-0753

Air Quality, Noise and
Radiation Division

Michael A. James
*Associate General
Counsel*

WSMW Rm. 545

755-0744

Pesticides Division

David E. Menotti
*Associate General
Counsel*

WSMW Rm. 537

755-2680

Toxic Substances
Division

Richard J. Denney
*Associate General
Counsel*

WSMW Rm. 515

755-0794

Grants, Contracts, and
General Administration
Division

Vacant
*Associate General
Counsel*

WSMW Rm. 1031A

755-0768

Office of Public Awareness

Develops and provides information on EPA programs and actions to the public and to various constituency groups and monitors public attitudes concerning the environment.

Director

Joan Martin Nicholson

WSMW Rm. 311C

755-0700

Thomas F. Williams
Deputy Director

WSMW Rm. 311A

755-0318

	Charles Pierce <i>Associate Director for Periodicals Management and Special Projects</i>	WSMW Rm. 241	755-0736
President's Youth Awards Program	Mary Faye Dudley <i>Coordinator</i>	WSMW Rm. 301	755-0496
Program Development	Leighton Price <i>Associate Director for Toxic Substances</i>	WSMW Rm. 303A	755-0720
	Charles Rogers <i>Associate Director for Water & Waste Management</i>	WSMW Rm. 305B	755-0720
	Inez Artico <i>Associate Director for Air, Noise & Radiation</i>	WSMW Rm. 309B	755-0720
	Raymond Holmes <i>Associate Director for Enforcement</i>	WSMW Rm. 307A	755-0720
Information Development	Alex MacDonald <i>Coordinator</i>	WSMW Rm. 239	755-0872
	Ray Mulderick <i>Audio-Visuals</i>	WSMW Rm. 230	755-0715
	Chuck McDaniel <i>Audio-Visuals</i>	WSMW Rm. 230	755-0715
	Gifford Hampshire <i>Exhibits, Photographs, DOCUMERICA</i>	WSMW Rm. 232A	755-0138
	Robert Flanagan <i>Graphics</i>	WSMW Rm. 223	755-0715
Visitors Center	Ronald Hoffman	Lobby West Tower	755-0713
Constituent Development	Paul Wyche <i>Coordinator</i>	WSMW Rm. 307A	755-0132

	Lynda Brownlow <i>Regional Coordinator</i>	WSMW Rm. 339	755-0710
	Albert Heier <i>Agriculture</i>	WSMW Rm. 335	755-2840
	Philip Wisman <i>Business/Industry</i>	WSMW Rm. 333	755-2840
	Kathryn Bouvé <i>Environment</i>	WSMW Rm. 313C	755-0886
	Michael McDonell <i>Labor</i>	WSMW Rm. 337	755-0710
	Joyce Davila <i>Minority</i>	WSMW Rm. 339	755-0710
	Rob Caughlan <i>Public Interest</i>	WSMW Rm. 339	755-0710
	Robert Burke <i>Urban</i>	WSMW Rm. 337	755-0710
	Mary-Averett Seelye <i>Women/Consumer</i>	WSMW Rm. 235	755-0138
	Mattie Montgomery <i>Youth</i>	WSMW Rm. 337	755-0710
Speakers Bureau	Diane Harvey	WSMW Rm. 327A	426-4188

Office of Press Services

Provides all media with information on EPA activities through news releases, radio spots, and news conferences. Compiles the Daily Press Digest and a weekly briefing book.

Director	Marlin Fitzwater	WSMW Rm. 329	755-0344
Information Officers	Jim Sibbison	WSMW Rm. 329	755-0344
	Larry O'Neill		
	Dave Ryan		

Chris Rice

Martha Casey

Pete Acly

Robin Woods

Luke Hester

Resource Center

Linda Garczynski

WSMW Rm. 327C

755-0863

Office of Planning and Management

Responsible for over-all planning and management structure of the Agency.

Assistant Administrator

William Drayton, Jr.

WSMW Rm. 1013

755-2900

C. William Carter
*Associate Assistant
Administrator*

WSMW Rm. 1001

755-0698

John Robinson
*Associate Assistant
Administrator for
Program Management
& Policy*

WSMW Rm. 1001

755-0698

Saul R. Rosoff
*Associate Assistant
Administrator for
Management Reform*

WSMW Rm. 1009

755-2911

Office of Audit

Malcolm Stringer
Director

WSM Rm. 2119

755-2833

**Office of Occupational
Health and Safety**

Robert Magor
Director

WSM Rm. 3503

755-4390

Planning and Evaluation

Oversees Agency-wide planning activities and evaluation of success in reaching goals, publication of regulations and guidelines, and assessment of economic effects.

Roy Gamse
*Deputy Assistant
Administrator*

WSM Rm. 1013

755-2920

Standards and Regulations Division	Henry Beal <i>Director</i>	WSM Rm. 3002	755-2265
Policy Planning Division	David Tundermann <i>Director</i>	WSMW Rm. 1039	755-4803
Program Evaluation Division	Marian Mlay <i>Director</i>	WSMW Rm. 1017	755-0340
Economic Analysis Division	Frans Kok <i>Director</i>	WSM Rm. 3002	755-0733
Resources Management	Supervises EPA's budgeting and fiscal controls, payroll and accounting systems, grants and contracts, in accordance with policies of the President's Office of Management and Budget.		
	Paul Elston <i>Deputy Assistant Administrator</i>	WSMW Rm. 1003	755-2744
Budget Operations Division	Donald E. Hamer <i>Director</i>	WSMW Rm. 711	755-0680
Grants Administration Division	Alexander J. Greene <i>Director</i>	WSMW Rm. 437E	755-0850
Financial Management Division	Marcus Pugh <i>Director</i>	WSM Rm. 3103	755-0374
Management and Agency Services	Develops and operates EPA's management and information systems, automatic data processing, contracting and procurement, security, and supporting services.		
	Edward J. Hanley <i>Deputy Assistant Administrator</i>	WSMW Rm. 1007	755-2911
Personnel Management Division	Richard Cocozza <i>Acting Director</i>	WSM Rm. 3910	755-2922
Facilities and Support Services Division	Jack Tarran <i>Director</i>	WSM Rm. 2812	755-2814
EPA Public Information Center	James Keys <i>Chief</i>	Visitors Center Lobby, West Tower	755-0707
Management and Organization Division	Jack Tarran <i>Acting Director</i>	WSMW Rm. 441A	755-0844

Public Information Reference Unit	Lillian Hibbs	WSM Rm. 2404	755-2808
Procurement and Contracts Management Division	William Mathis <i>Director</i>	WSM Rm. 2003	755-0822
Security and Inspection Division	Robert Felmley <i>Acting Director</i>	WSM Rm. 2804	245-3060
Management Information and Data Systems Division	R. C. Stringer <i>Director</i>	WSM Rm. 3101	755-0984

Office of Enforcement

Advises the Administrator in environmental law enforcement matters and oversees all enforcement activities of the Agency.

Assistant Administrator	Marvin Durning	WSMW Rm. 1111	755-2500
National Enforcement Investigation Center-Denver	Thomas P. Gallagher <i>Director</i> U.S. Environmental Protection Agency Building 53, Box 25227 Denver Federal Center Denver, Colorado 80225		(303) 234-4650
Water Enforcement	Directs enforcement activities for the Agency's water pollution control programs.		
	Jeffrey Miller <i>Deputy Assistant Administrator</i>	WSMW Rm. 1119	755-0440
Enforcement Division	John Brian Molloy <i>Director</i>	WSM Rm. 3201	755-8731
Permits Division	Leonard A. Miller <i>Director</i>	WSM Rm. 3109	755-2545
General Enforcement	Directs enforcement activities for the Agency's stationary source, pesticides, toxic substances and solid waste programs.		
	Richard D. Wilson <i>Deputy Assistant Administrator</i>	WSMW Rm. 1111	755-2977
Stationary Source Enforcement Division	Edward E. Reich <i>Director</i>	WSM Rm. 3202	755-2550

Pesticides and Toxic Substances Enforcement Division	Augustine E. Conroy II <i>Director</i>	WSM Rm. 3624	755-0970
--	---	--------------	----------

Mobile Source and Noise Enforcement

Directs enforcement activities for the Agency's mobile source air pollution and noise control programs.

Benjamin R. Jackson <i>Deputy Assistant Administrator</i>	WSMW Rm. 1111	755-2530
--	---------------	----------

Mobile Source Enforcement Division

Charles Freed <i>Director</i>	WSM Rm. 3220	755-2870
----------------------------------	--------------	----------

Noise Enforcement Division

Richard G. Kozlowski <i>Director</i>	CM 2 Rm. 712	(703) 557-7470
---	--------------	----------------

Office of Water and Waste Management

Responsible for EPA's work in water pollution control, drinking water standards, and solid waste management.

Assistant Administrator

Thomas C. Jorling	WSME Rm. 1035	755-2800
-------------------	---------------	----------

Water Planning and Standards

Oversees planning and standard setting for water quality, develops industrial discharge guidelines, and monitors waterways nationwide.

Swep Davis <i>Deputy Assistant Administrator</i>	WSME Rm. 737A	755-0402
---	---------------	----------

Effluent Guidelines Division

Robert Schaffer <i>Director</i>	WSME Rm. 913	426-2576
------------------------------------	--------------	----------

Monitoring and Data Support Division

Edmund Notzon <i>Director</i>	WSME Rm. 837B	426-7764
----------------------------------	---------------	----------

Water Planning Division

Merna M. Hurd <i>Director</i>	WSME Rm. 813B	755-6928
----------------------------------	---------------	----------

Criteria and Standards Division

Kenneth Mackenthun <i>Director</i>	WSM Rm. 2842	755-0100
---------------------------------------	--------------	----------

Drinking Water Programs

Develops standards, rules, and guidelines for maintaining the quality of public drinking water supplies.

Victor J. Kimm <i>Deputy Assistant Administrator</i>	WSME Rm. 1011	426-8347
---	---------------	----------

Office of Program Development and Evaluation	Arnold Kuzmack <i>Director</i>	WSME 1017	755-5643
Criteria and Standards Division	Dr. Joseph A. Cotruvo <i>Director</i>	WSME Rm. 1111	472-5016
State Programs Division	Alan Levin <i>Director</i>	WSME Rm. 1009	426-8290
Technical Support Division	Lowell Van Den Berg <i>Director</i> 555 Ridge Road Cincinnati, OH 45268		(513) 684-4374
Water Program Operations	Develops national programs, technical policies, regulations, and guidelines for water pollution control.		
	<i>John T. Rhett</i> <i>Deputy Assistant Administrator</i>	<i>WSME Rm. 1209</i>	<i>426-8856</i>
	Henry L. Longest <i>Associate Deputy Assistant Administrator</i>	WSME Rm. 1209	426-8858
Office of Program Management	Michael P. Quigley <i>Director</i>	WSME Rm. 1205	426-8990
Municipal Construction Division	Harold Cahill <i>Director</i>	WSME Rm. 1219	426-8986
Municipal Operations and Training Division	Dr. Robert W. Zeller <i>Director</i>	WSME Rm. 1115	426-8820
Oil and Special Materials Control Division	Kenneth E. Biglane <i>Director</i>	WSM Rm. 2106	245-3048
Facility Requirements Division	Michael B. Cook <i>Director</i>	WSME Rm. 1137	426-9404
Solid Waste Programs	Plans and directs programs in solid waste management, methods development, technical assistance, and recovery of resources from waste.		
	Steffan W. Plehn <i>Deputy Assistant Administrator</i>	WSM Rm.2714	755-9170

	Gary N. Dietrich <i>Associate Deputy Assistant Administrator</i>	WSM Rm. 2710	755-9177
Management and Information Staff	Eileen Claussen <i>Director</i>	WSM Rm. 2710	755-9177
Technical Information and Communications Branch	Carol S. Lawson <i>Chief</i>	WSM Rm. 2716	755-9160
Hazardous Waste Management Division	John P. Lehman <i>Director</i>	WSM Rm. 2111	755-9185
Land Disposal Division	John H. Skinner <i>Director</i>	WSM Rm. 2107	755-9107
Resource Recovery Division	Albert Peter <i>Director</i>	WSM Rm. 2107	755-9130

Office of Air, Noise, and Radiation

Administer's EPA's programs in air quality planning and standard setting, control of automotive pollution, noise abatement, and environmental radiation.

Assistant Administrator	David G. Hawkins	WSMW Rm. 937C	755-2640
Office of Program Management Operations	Edward F. Tuerk <i>Director</i>	WSMW Rm. 937D	755-0482
Office of Policy Analysis	Paul S. Stolpman <i>Director</i>	WSME Rm. 733	426-2482
Office of Transportation and Land Use Policy	John O. Hidingen <i>Director</i>	WSMW Rm. 933	755-0480
Air Quality Planning and Standards	Provides guidelines and technical assistance for air quality planning, monitors air pollution trends, sets standards for new-source emissions and hazardous pollutants.		
	Walter C. Barber <i>Deputy Assistant Administrator</i>	*Durham, NC	(919) 541-5315
Control Programs Development Division	Richard G. Rhoads <i>Director</i>	*Durham, NC	(919) 541-5251

Monitoring & Data Analysis Division	Robert F. Neligan <i>Director</i>	*Durham, NC	(919) 541-5447
Emission Standards & Engineering Division	Don R. Goodwin <i>Director</i>	*Durham, NC	(919) 541-5271
Strategies and Air Standards Division	Joseph Padgett <i>Director</i>	*Durham, NC	(919) 541-5204
Mobile Source Air Pollution Control	Certifies motor vehicles and engines for compliance with emission standards, plans and oversees vehicle emission control programs.		
	Michael P. Walsh <i>Deputy Assistant Administrator</i>	WSMW Rm. 737	426-2464
Certification Division	Richard Harrington <i>Director</i>	*Ann Arbor, MI	(313) 668-4402
Emission Control Technology Division	Charles L. Gray <i>Director</i>	*Ann Arbor, MI	(313) 668-4404
Program Management Division	Vacant <i>Director</i>	*Ann Arbor, MI	(313) 668-4243
Radiation Programs	Sets criteria and standards to protect the public from environmental radiation and monitors such radiation.		
	David M. Rosenbaum <i>Deputy Assistant Administrator</i>	CM-2 Rm. 1115	(703) 557-9710
Criteria and Standards Division	Dr. William A. Mills <i>Director</i>	CM-2 Rm. 1015	(703) 557-0704
Technology Assessment Division	David S. Smith <i>Director</i>	CM-2 Rm. 1016	(703) 557-8950
Environmental Analysis Division	Floyd L. Galpin <i>Director</i>	CM-2 Rm. 1014	(703) 557-8217
Office of Radiation Programs Las Vegas Facility	Donald W. Hendricks <i>Director</i> P.O. Box 18416 Las Vegas NV 89114		(702) 736-2969 ext. 305

*Mailing address for Durham, NC is Research Triangle Park NC 27711

*Mailing address for Ann Arbor, MI is Motor Vehicle Test Lab, 2565 Plymouth Road, Ann Arbor MI 48105

Eastern Environmental Radiation Facility	Charles R. Porter <i>Director</i> P.O. Box 3009 Montgomery AL 36109		(205) 272-3402
Noise Abatement Control	Regulates major sources of noise and assists State and local noise control programs.		
	Charles L. Elkins <i>Deputy Assistant Administrator</i>	CM-2 Rm. 1108	(703) 557-7777
Technology and Federal Programs Division	John C. Schettino <i>Director</i>	CM-2 Rm. 1116	557-7760
Standards & Regulations Division	Henry E. Thomas <i>Director</i>	CM-2 Rm. 1107	557-7743
State and Local Programs Division	John M. Ropes <i>Director</i>	CM-2 Rm. 1108	557-7695

Office of Research and Development

Advises the Administrator on scientific matters, directs and conducts research on pollution sources, health effects, prevention and control methods, environmental sciences, and monitoring systems.

Assistant Administrator	Stephen J. Gage	WSMW Rm. 913	755-2600
	Carl R. Gerber <i>Associate Assistant Administrator</i>		456-6272
	(On detail to the Office of Science and Technology Policy, Executive Office of the President, Washington, D.C. 20500)		
Office of the Principal Science Advisor	Herbert L. Wiser <i>Principal Physical Science Advisor</i>	WSMW Rm. 919	755-0477
Office of Research Program Management	Sam Rondberg <i>Director</i>	WSMW Rm. 915	755-2606
Operations Office	Alan Neuschatz <i>Deputy Director</i>	WSMW Rm. 917	755-2590
Technical Information Office	W. Randall Shobe <i>Deputy Director</i>	WSMW Rm. 923	755-0468

Office of Health & Environmental Assessment	Elizabeth Anderson <i>Acting Director</i>	WSM Rm. 3704	755-3968
Regional Services Staff	Michael Mastracci <i>Director</i>	WSM Rm. 611C	755-0820
Monitoring Technical Support	Develops standard references and methods for environmental measurement and oversees the Agency's quality assurance programs.		
	Albert C.Trakowski,Jr. <i>Deputy Assistant Administrator</i>	WSM Rm. 3100	426-2202
	H. Matthew Bills <i>Associate Deputy Assistant Administrator</i>	WSM Rm. 3100	426-4453
Monitoring Technology Division	Charles Brunot <i>Director</i>	WSM Rm. 3809	426-2026
Technical Support Division	Gene James <i>Director</i>	WSM Rm. 3801	426-2387
Minority Institutions Research Support Program	Clyde Bishop <i>Director</i>	WSM Rm. 3803	426-4527
National Workforce Development Staff	Don Cook <i>Chief</i>	WSM Rm. 3105	755-2937
Environmental Engineering and Technology	Develops and assesses methods to control the environmental and economic effects of energy production, mineral extraction and processing, industrial operations, municipal wastewater treatment, solid waste disposal, and drinking water treatment.		
	Steve Reznak <i>Acting Deputy Assistant Administrator</i>	WSMW Rm. 635	755-4858
	Vacant <i>Associate Deputy Assistant Administrator</i>		
Energy Processes Division	Frank T. Princiotta <i>Director</i>	WSMW Rm. 631	755-0205
Industrial and Extractive Processes Division	Carl Schafer <i>Director</i>	WSMW Rm. 639	755-9014

Waste Management Division	William Rosenkranz <i>Director</i>	WSMW Rm. 635	426-4567
Health Research	Conducts research on how pollutants affect human health.		
	William S. Murray <i>Acting Deputy Assistant Administrator</i>	WSM Rm. 3100	426-2382
	William S. Murray <i>Associate Deputy Assistant Administrator</i>	WSM Rm. 3100	426-2382
Health Effects Division	George Armstrong <i>Director</i>	WSM Rm. 3822	426-2275
Stratospheric Modification Research Staff	Alphonse Forziati <i>Director</i>	WSM Rm. 3810	426-2318
Environmental Processes and Effects Research	Develops scientific and technological methods and data to predict and manage the entry, movement and fate of pollutants in the environment and the effects of pollutants on ecological systems.		
	Thomas Murphy <i>Deputy Assistant Administrator</i>	WSM Rm. 3702	426-0803
	Courtney Riordan <i>Associate Deputy Assistant Administrator</i>	WSM Rm. 3702	426-0803
Media Quality Management Division	Vacant		
Agriculture & Nonpoint Source Management Division	Darwin Wright <i>Director</i>	WSM Rm. 3702	426-2407
Energy Coordination Staff	Clinton Hall <i>Director</i>	WSM Rm. 3817	426-0264
Ecological Effects Division	David Flemer <i>Director</i>	WSM Rm. 3702	426-2260

Research and Development Laboratories

The Agency's 15 laboratories are grouped in four categories and their directors report to the four R & D deputy assistant administrators listed above. The larger labs have public information officers to help you get answers to your questions as quickly as possible. Their names, addresses, and telephone numbers are also listed below. Information about work done in the other labs can be obtained from the offices of their respective directors.

Information Contacts

Ernie Minor (513) 684-7931

Director
Office of Public Affairs
 EPA
 Environmental Research Center
 26 W St. Clair
 Cincinnati OH 45268

(serves all four labs in Cincinnati)

Chris L. West (919) 541-4577

Director
Office of Public Affairs
 EPA
 Environmental Research Center
 Research Triangle Park NC 27711

(serves all four labs in Research Triangle Park)

Karen K. Randolph (503) 757-4600

Director
Office of Information Services
 EPA
 Corvallis Environmental Research Lab
 200 SW 35th Street
 Corvallis OR 97330

(serves Corvallis lab only)

Geneva S. Douglas (702) 736-2969

Information Officer
 Environmental Monitoring Systems Lab
 PO Box 15027
 Las Vegas NV 98114

ext 221

(serves Las Vegas lab only)

Monitoring and Technical Support

Thomas Hauser (919) 541-2106

Director
 Environmental Monitoring and Support Laboratory
 EPA
 Research Triangle Park NC 27711

Dwight G. Ballinger (513) 684-7301
Director
 Environmental Monitoring and Support Laboratory
 EPA
 Cincinnati OH 45268

George Morgan (702) 736-2969
Director ext. 201
 Environmental Monitoring Systems Laboratory
 EPA
 PO Box 15027
 Las Vegas NV 89114

**Environmental
 Engineering and
 Technology**

Dr. John K. Burchard (919) 541-2821
Director
 Industrial Environmental Research Laboratory
 EPA
 Research Triangle Park NC 27711

David G. Stephen (513) 684-4402
Director
 Industrial Environmental Research Laboratory
 EPA
 Cincinnati OH 45268

Francis T. Mayo (513) 684-7951
Director
 Municipal Environmental Research Laboratory
 EPA
 Cincinnati OH 45268

Health Research

H.G. Hueter (919) 541-2281
Acting Director
 Health Effects Research Laboratory
 EPA
 Research Triangle Park NC 27711

John Garner (513) 684-7401
Director
 Health Effects Research Laboratory
 EPA
 Cincinnati OH 45268

**Environmental
 Processes and
 Effects Research**

A. Paul Altshuler (919) 541-2191
Director
 Environmental Sciences Research Laboratory
 EPA
 Research Triangle Park NC 27711

William C. Galegar (405) 332-8800
Director ext. 224
 Robert S. Kerr Environmental Research Laboratory
 EPA
 PO Box 1198
 Ada OK 74820

David W. Duttweiler (404) 546-3134
Director
 Environmental Research Laboratory
 EPA
 College Station Road
 Athens GA 30601

Thomas A. Murphy (503) 757-4601
Director
 Corvallis Environmental Research Laboratory
 EPA
 200 SW 35th Street
 Corvallis OR 97330

Donald I. Mount (218) 727-6692
Director
 Environmental Research Laboratory
 EPA
 6201 Congdon Boulevard
 Duluth MN 55804

Eric D. Schneider (401) 789-1071
Director
 Environmental Research Laboratory
 EPA
 P.O. Box 2770
 West Kingston RI 02982

Thomas W. Duke (904) 932-5311
Director
 Environmental Research Laboratory
 EPA
 Sabine Island
 Gulf Breeze FL 32561

Office of Toxic Substances

Advises the Administrator on matters related to toxic substances and pesticides and manages the Agency's programs in these areas.

Assistant Administrator	Steven D. Jellinek	WSME Rm. 637	755-0310
Policy Analysis and Management	Lillian Regelson <i>Director</i>	WSME Rm. 635	755-4871

Pesticide Programs	Plans and carries out programs to limit the use of pesticides that are harmful to people or to the environment.		
	<i>Edwin L. Johnson Deputy Assistant Administrator</i>	WSME Rm. 539	755-8033
Program Support Division	<i>Louis True Director</i>	WSME Rm. 541	426-9033
Registration Division	<i>Douglas C. Campt Director</i>	WSME Rm. 347	426-2451
Special Pesticide Review Division	<i>Marcia Williams Director</i>	CM-2 Rm. 724	(703) 557-7438
Hazard Evaluation Division	<i>Dr. Peter McGrath Director</i>	CM-2 Rm. 821	(703) 557-7351
Operations Division	<i>Phillip Gray Acting Director</i>	Marfair	472-9400
Benefit and Field Studies Division	<i>James G. Touhey Acting Director</i>	Marfair	472-9300
Chemical Control	Plans, operates, and evaluates the Agency's work in controlling toxic substances other than pesticide.		
	<i>John P. DeKany Deputy Assistant Administrator</i>	WSME Rm. 509	426-9000
Control Action Division	<i>Cynthia C. Kelly Director</i>	WSME Rm. 517	755-0920
Premanufacturing Review Division	<i>Blake Biles Director</i>	WSME Rm. 207	426-8815
Testing and Evaluation	Identifies and assesses the health and environmental hazards of chemical substances and mixtures.		
	<i>Dr. Warren Muir Deputy Assistant Administrator</i>	WSME Rm. 601	755-4894
Assessment Division	<i>Joseph Merenda Director</i>	WSME Rm. 715	755-1500
Health Review Division	<i>Joseph Nash Acting Director</i>	WSME Rm. 711	426-2532

Environmental Review Division	Dr. James J. Reisa <i>Director</i>	WSME Rm. 609	472-2563
Program Integration and Information	Oversees the integration of EPA's toxic substance activities with other agencies, industry, and outside technical organizations.		
	Dr. Marilyn Bracken <i>Deputy Assistant Administrator</i>	WSME Rm. 417	755-8040
Industry Assistance Office	John B. Ritch <i>Director</i>	WSME Rm. 427	755-3852
Chemical Information Division	Bruno Vasta <i>Director</i>	WSME Rm. 447	755-5687
Survey and Analysis Division	Martin Halper <i>Director</i>	WSME Rm. 419	755-8060
Program Integration Division	Walter Kovalick <i>Director</i>	WSME Rm. 411	755-2778

Regional Offices

The Regional Administrator in each of EPA's 10 regions represents the Administrator in working with state and municipal governments, industries, academic institutions, and private and public groups. Their public information officers are also listed. Libraries are maintained in each regional office and are open to the public.

Boston

William R. Adams
Regional Administrator (617) 223-7210

EPA Region 1
John F. Kennedy
Federal Building
Boston MA 02203

Paul G. Keough
Director (617) 223-7223
Office of Public Awareness

Connecticut, Maine, Massachusetts, New Hampshire,
Rhode Island, Vermont

New York

Eckardt C. Beck
Regional Administrator (212) 264-2525

EPA Region 2
26 Federal Plaza
New York NY 10007

James Marshall
Director (212) 264-2515
Office of External Programs

New Jersey, New York, Puerto Rico, Virgin Islands

Philadelphia Jack J. Schramm (215) 597-9814
Regional Administrator

EPA Region 3
 6th & Walnut Streets
 Philadelphia PA 19106

Sandra C. Otskivi (215) 597-9370
Chief
Office of Public Awareness

Delaware, Maryland, Pennsylvania, Virginia, West Virginia,
 District of Columbia

Atlanta John C. White (404) 881-4727
Regional Administrator

EPA Region 4
 345 Courtland Street NE
 Atlanta GA 30308

Frank Redmond (404) 881-3004
Director
Office of Public Awareness

Alabama, Georgia, Florida, Mississippi, North Carolina,
 South Carolina, Tennessee, Kentucky

Chicago John McGuire (312) 353-2000
Regional Administrator

EPA Region 5
 230 S Dearborn
 Chicago IL 60604

Frank Corrado (312) 353-2072
Director
Office of Public Affairs

Illinois, Indiana, Ohio, Michigan, Wisconsin, Minnesota

Dallas Adlene Harrison (214) 767-2600
Regional Administrator

EPA Region 6
 1201 Elm Street
 Dallas TX 75270

Peyton Davis (214) 767-2630
Director
Office of Public Awareness

Arkansas, Louisiana, Oklahoma, Texas, New Mexico

Kansas City Kathleen Q. Camin (816) 374-5493
Regional Administrator

EPA Region 7
 324 E 11th Street
 Kansas City MO 64106

Rowena Michaels (816) 374-5894
Public Information Officer

Iowa, Kansas, Missouri, Nebraska

Denver

Alan Merson
Regional Administrator

(303) 837-3895

EPA Region 8
1860 Lincoln Street
Denver CO 80295

Russ Fitch
Director
Office of Public Awareness &
Inter-Governmental Relations

(303) 837-4904

Colorado, Utah, Wyoming, Montana, North Dakota,
South Dakota

San Francisco

Paul DeFalco, Jr.
Regional Administrator

(415) 556-2320

EPA Region 9
215 Fremont Street
San Francisco CA 94105

Deanna Wieman
Director
Office of External Relations

(415) 556-6695

Arizona, California, Nevada, Hawaii

Seattle

Donald DuBois
Regional Administrator

(206) 442-1220

EPA Region 10
1200 6th Avenue
Seattle WA 98101

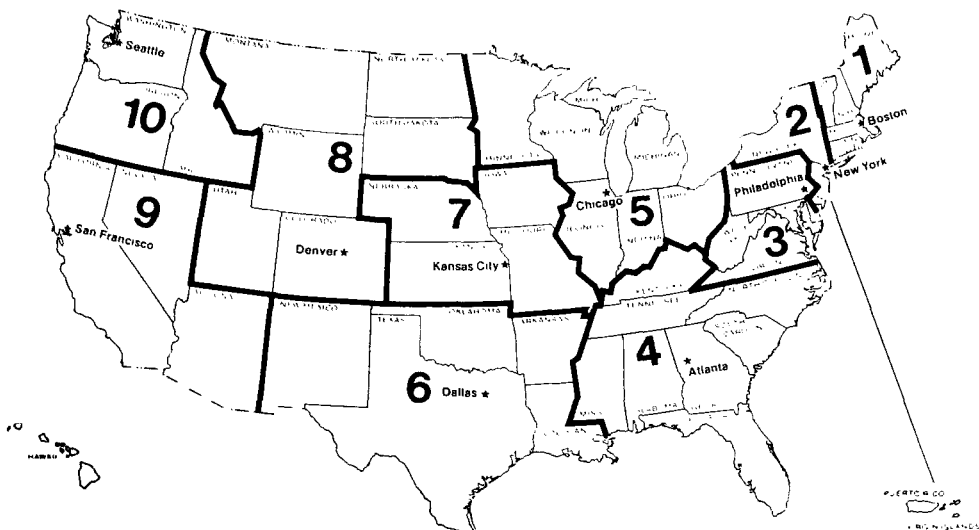
Donald Bliss
Director
Office of External Affairs

(206) 442-1203

Alaska, Idaho, Oregon, Washington



United States Environmental Protection Agency
Regional Organization



Additional Information

Public Participation

Under specific environmental laws and regulations, EPA is responsible for encouraging and accommodating citizen participation in Agency decisions. Program representatives you may wish to contact for specific information about these activities are:

Air	Doyle Borchers	755-0407
	Norman Dunfee	(919) 541-5204
Drinking Water	Sharon Gascon	426-8290
Noise	Henry Thomas	(703) 557-7743
Pesticides	Susan Sherman	755-8020
Radiation	Richard Wromble	(703) 557-7910
Solid Waste	Geraldine Wyer	755-9157
Toxic Substances	Trish Pallas	755-4854
Water Quality	Lee Daneker	755-7638

The Office of Public Awareness is responsible for providing support to the Agency's community relations, public participation, and environmental information programs. For further information, contact Don Krumm on 755-0700.

In 1978, a special Task Force composed of representatives of the regions and headquarters components of the Agency was established to provide policy guidance for EPA's citizen participation efforts. The chairperson of the Task Force is Sharon Francis who can be reached on 755-0425.

EPA Libraries

The Agency maintains a headquarters library as well as libraries in each of its 10 regional offices that are open to the public during normal working hours. Materials are available for review and a limited number of pages may be duplicated free of charge. Documents may be borrowed through the inter-library loan service. The address of the headquarters library follows and the addresses of the regional libraries can be found on pages 23-25.

EPA Headquarters Library 755-0308
 Room M2404
 401 M Street SW
 Washington DC 20460

General Publications

EPA publishes a wide selection of general publications, many directed to children, that discuss the Agency's programs and activities. When ordering general materials, please indicate which program or activity you are interested in and appropriate materials will be mailed to you. Requests for general publications can be sent to the following address or your nearest EPA regional office (see pages 23-25):

EPA Printing Management Office 755-0890
 PM 215
 Washington DC 20460

Technical Publications

A variety of technical publications are generated by EPA and its contractors and grantees. Many are available (free) from EPA's technical program offices and others can be obtained (for a fee), from the U.S. Government Printing Office or the National Technical Information Service. Microfiche copies of reports are available for review in the EPA headquarters library (see page 26) and regional libraries (see pages 23-25).

The Agency also publishes a Quarterly Guide of both technical and general publications to assist you in locating documents you may need. To receive a copy of the latest Quarterly Guide, or to request to be put on a mailing list to receive Guides on a continuing basis, please write:

Publications—Quarterly Guide
EPA Printing Management Office
PM 215
Washington DC 20460

Mailing Lists

The Agency maintains mailing lists for technical information as well as general information about each of its major programs. Requests to be added to the lists should be sent to:

General Information

Mailing List Manager
Office of Public Awareness
EPA A-107
Washington DC 20460

Toxic Substances

Industry Assistance Office
Office of Toxic Substances
EPA TS 799
Washington DC 20460

Solid Waste

Mailing List Manager
OSW Publications Distribution
EPA
26 West St. Clair
Cincinnati OH 45268

Pesticides

Mailing List Manager
Operation Division
Office of Pesticides Programs
EPA TS-770M
Washington DC 20460

Water Quality

Central Mailing List Service
Municipal Construction Division, EPA
GSA (8FSS)
Building 41, Denver Federal Center
Denver CO 80225

Air

Mailing List Manager
Library Services
EPA MD-35
Research Triangle Park NC 27711

Mailing List Manager
Water Planning Division Library
EPA WH-554
Washington DC 20460

Noise

Mailing List Manager
Office of Noise Programs
EPA ANR-471
Washington DC 20460

Distribution Office
Effluent Guidelines Division
EPA WH 552
Washington DC 20460

Radiation

Mailing List Manager
Office of Radiation Programs
EPA ANR-458
Washington DC 20460

Drinking Water

Mailing List Manager
Office of Drinking Water
EPA WH 550
Washington DC 20460

Research & Development

Mailing List Manager
ORD Publications
EPA RD-674
Washington DC 20460

The Public Information Center

This office provides first-line contact for public inquiries via telephone calls, letters, and walk-in visits. The Center offers a wide variety of information about the Agency, its programs and activities and, when appropriate, refers inquirers to the proper technical program or regional office. Also serves as the Agency's control point for consumer complaints.

The Public Information Center
West Tower Lobby—North Gallery
EPA PM-215
401 M Street SW
Washington DC 20460

755-0707
755-0717

Public Information Reference Unit

Where specific EPA records supporting proposed Agency actions may be conveniently inspected by the public in accordance with Agency regulations implementing the Freedom of Information and Privacy Acts.

Public Information Reference Unit
Room 2404 (rear)
401 M Street SW
Washington DC 20460

755-2808

United States
Environmental Protection
Agency
Washington DC 20460

Official Business
Penalty for Private Use \$300

Postage and
Fees Paid
Environmental
Protection
Agency
EPA 335



Third Class